



**BCC**  
Elevapracitic

Curve

**Your Local Dealer**

Insert details here

# Affordable, Reliable, Comfortable

Our reputation is built on quality and trust, and in the all new Platinum Curve, we have created the quietest, smoothest, safest and most affordable solution to your curved staircase.

Designed and manufactured with ease of use, reliability and your comfort in mind, the stairlift uses the latest relevant technologies to provide you with the features you need such as:-

**Swivel seat** A swivel seat enables you to get on and off the stairlift easily and safely.

**Soft start/stop** Ensures your journey begins and ends in a smooth and gentle manner.

**DC Battery power** Battery powered stairlifts enable you to travel even during a powercut. The lift recharges when not in use.

**Easy to use controls** A control joystick can be fitted to either armrest for left or right-handed people. Remote controls are fitted to the top and bottom of the staircase to enable you to call the lift to you.

**Safety first** Sensors are fitted to the lift in case it encounters any obstructions during your journey.



## Designed to travel on either inside or outside of staircase.

One of the smallest profile stairlifts on the market today enabling it to fit with ease and cause minimum intrusion on even the narrowest of staircases.

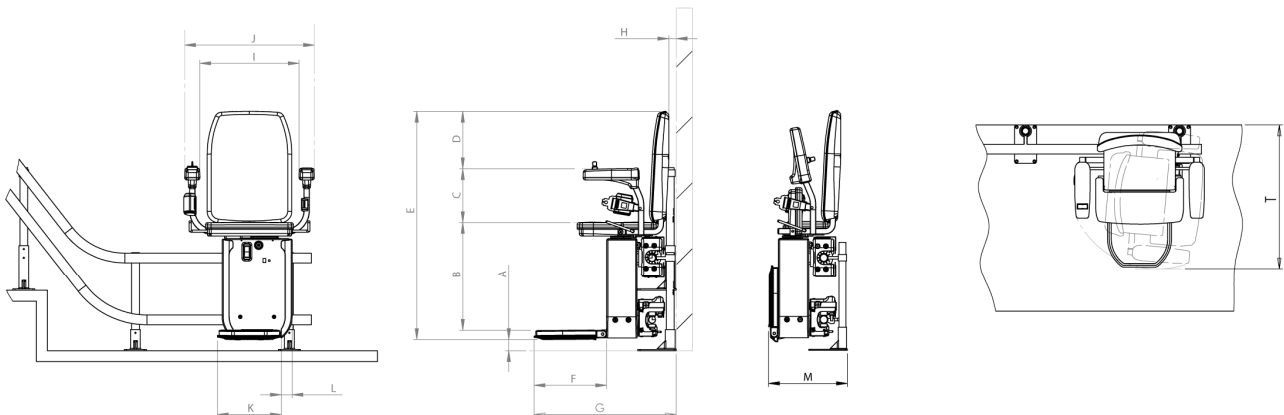
## Extended warranties available.

Repair and replacement of component parts available.

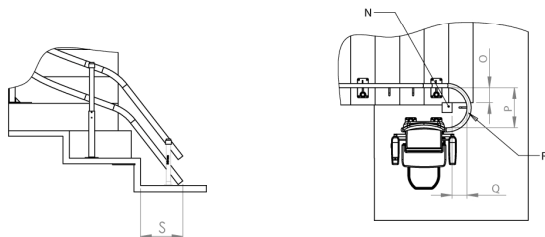
## Dedicated service help-line contactable 24 hours a day, 365 days a year.

Nationwide rapid response team of engineers.

## Annual inspection and service available.



Platinum Stairlift		MM	Inches
A	Floor to top of footrest	93	3.6
B	Top of footrest to top of seat	494	19.4
C	Top of seat to top of arms	244	9.6
D	Top of arms to top of seat back	261	10.3
E	Overall height	1041	40.9
F	Length of footrest	329	12.9
G	Front of footrest to wall	646	25.4
H	Back of seat to wall	34	1.35
I	Width between armrests	451	17.8
J	Overall width	589	23.2
K	Width of footrest	291	11.4
L	Footrest offset	49	1.93
M	Folded footrest width	358	14.1
N	Newel post (typical)	90x90	3.5x3.5
O	Newel post to inside of rail	136	5.35
P	Bend on rail inside to inside	362	14.24
Q	Newel post to inside of rail	136	5.35
R	Bend radius on centre line (min)	200 min	7.87 min
S	Front of drop nose to first Step	300	11.80
T	Minimum swivel radius from wall	655	25.8



Measurements are only a guide and subject to a site and client survey



C/SANTA CECILIA 30-5 46930-QUART DE POBLET VALENCIA  
TELEFONO: 96 109 43 39 www.bccelevaprac.com